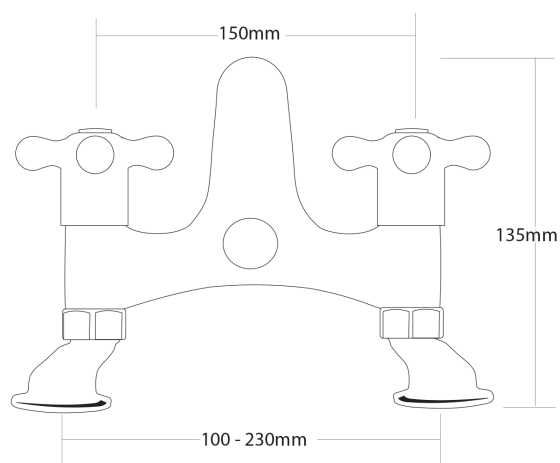


# FORENO Bath Mixer with Diverter Duplex



PRODUCT CODE	<b>FBF5X</b>
COLOUR/FINISHES	Chrome
WALL FIXINGS	Adjustable Offsets – 100 to 230mm
PRESSURE TYPE	All Pressures
MIN. PRESSURE	35kPa
MAX. PRESSURE	500kPa (As per NZ Building Code AS/NZ 3500.1)
WELS RATING	Low/Unequal 3 Star; 7L/min Mains 3 Star; 8L/min
MAX. TEMPERATURE	65°C
PLUMBING CONNECTION	15mm 20mm
REPLACEMENT PART/S	Cross Top Handle – FORPT64 Handpiece – FORPT187 Headworks – FORPT65 Shower Hose – Chrome FORPT12 1/2" Tap Washer – FORPT10 (Pack of 10) 15mm Offset – FORPT45

Specifications and dimensions are subject to change without notice.

Installation instructions are available from the product page on [www.foreno.co.nz](http://www.foreno.co.nz)

BUILDING CODE CLAUSES RELEVANT TO THIS PRODUCT:  
Clause G12 Water Supplies, specifically G12.3.5, G12.3.6, and G12.3.7. [www.foreno.co.nz/building-code-clauses/](http://www.foreno.co.nz/building-code-clauses/)

This product is not subject to a warning or ban under section 26 of the Building Act 2004.