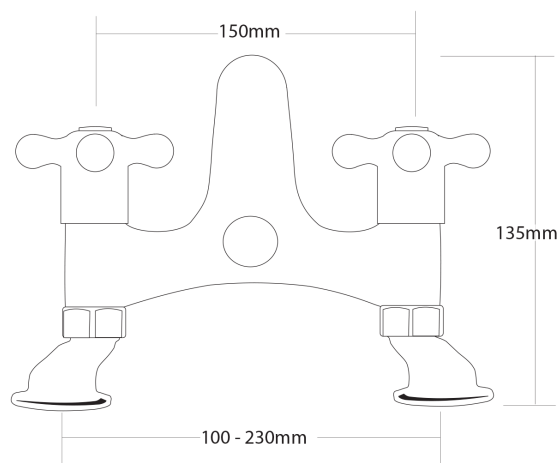


FORENO Bath Mixer with Diverter Duplex



PRODUCT CODE

FBF5TX

COLOUR/FINISHES

Chrome

WALL FIXINGS

Adjustable Offsets – 100 to 230mm

PRESSURE TYPE

All Pressures

MIN. PRESSURE

35kPa

MAX. PRESSURE

500kPa (As per NZ Building Code AS/NZ 3500.1)

WELS RATING

Low/Unequal 3 Star; 7L/min
Mains 3 Star; 8L/min

MAX. TEMPERATURE

65°C

PLUMBING CONNECTION

15mm
20mm

REPLACEMENT PART/S

Cross Top Handle – FORPT64
Handpiece – FORPT187
Headworks – FORPT65
Shower Hose – Chrome FORPT12
1/2" Tap Washer – FORPT10 (Pack of 10)
15mm Offset – FORPT45

Specifications and dimensions are subject to change without notice.

Installation instructions are available from the product page on www.foreno.co.nz

BUILDING CODE CLAUSES RELEVANT TO THIS PRODUCT:
Clause G12 Water Supplies, specifically G12.3.5, G12.3.6, and G12.3.7. www.foreno.co.nz/building-code-clauses/

This product is not subject to a warning or ban under section 26 of the Building Act 2004.