

FORENO Diverter Bath Mixer

PRODUCT CODE

FBF5T

COLOUR/FINISHES

Chrome

WALL FIXINGS

Adjustable Offsets – 100 to 230mm

PRESSURE TYPE

All Pressures

MIN. PRESSURE

35kPa

MAX. PRESSURE

500kPa (As per NZ Building Code AS/NZ 3500.1)

MAX. TEMPERATURE

65°C

CERTIFICATION

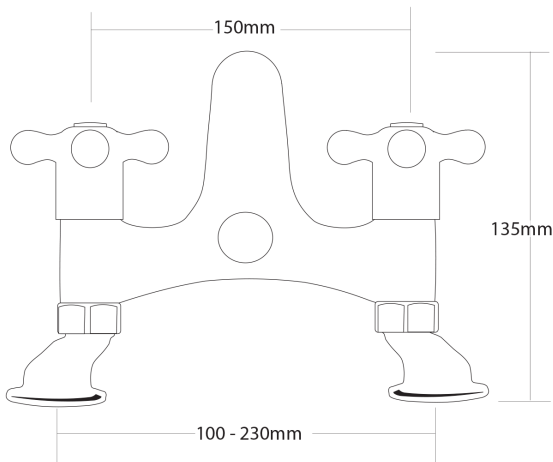
Watermark

PLUMBING CONNECTION

15mm
20mm

REPLACEMENT PART/S

Non Rising Headwork – FORPT65
Cross Top Handle – FORPT64



Specifications and dimensions are subject to change without notice.

Installation instructions are available from the product page on www.foreno.co.nz

BUILDING CODE CLAUSES RELEVANT TO THIS PRODUCT:
Clause G12 Water Supplies, specifically G12.3.5, G12.3.6, and G12.3.7. www.foreno.co.nz/building-code-clauses/

This product is not subject to a warning or ban under section 26 of the Building Act 2004.