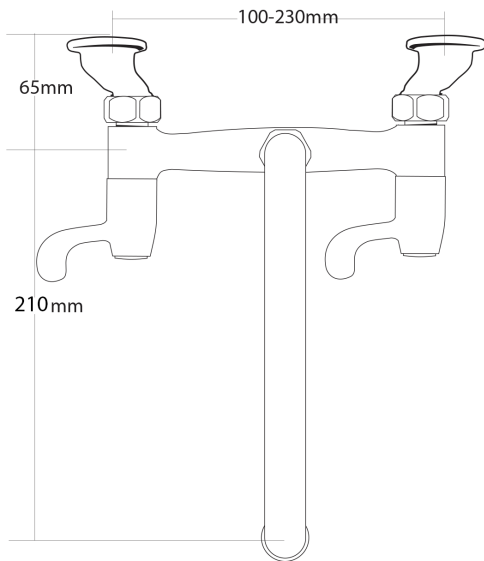


EZYFLO Wall Mounted Sink Faucet



PRODUCT CODE	EZF1
COLOUR/FINISHES	Chrome
PRESSURE TYPE	All Pressures
MIN. PRESSURE	17kPa
MAX. PRESSURE	500kPa (As per NZ Building Code AS/NZ 3500.1)
WELS RATING	Low/Unequal 4 Star; 6.5L/min Mains 3 Star; 8.5L/min
MAX. TEMPERATURE	65°C
PLUMBING CONNECTION	15mm
REPLACEMENT PART/S	Left Turn Ceramic Headwork – FORPT184 Half Turn Ceramic Headworks – FORPT43 FORPT05 – Universal Sink Faucet Spout
WALL FIXINGS	Adjustable Offsets – 100 to 230mm

Specifications and dimensions are subject to change without notice.

Installation instructions are available from the product page on www.foreno.co.nz

BUILDING CODE CLAUSES RELEVANT TO THIS PRODUCT:
Clause G12 Water Supplies, specifically G12.3.5, G12.3.6, and G12.3.7. www.foreno.co.nz/building-code-clauses/

This product is not subject to a warning or ban under section 26 of the Building Act 2004.