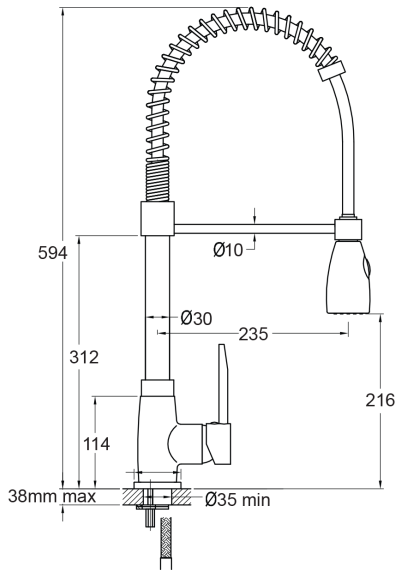


DIRECT Coil Sink Mixer



PRODUCT CODE

DR01C

COLOUR/FINISHES

Chrome

PRESSURE TYPE

Mains Pressure only

MIN. PRESSURE

150kPa

MAX. PRESSURE

500kPa (As per NZ Building Code AS/NZ 3500.1)

WELS RATING

Mains 4 Star; 7L/min

MAX. TEMPERATURE

65°C

REPLACEMENT PART/S

Pull-down Handset – FORPT146

PLUMBING CONNECTION

15mm

CERTIFICATION

Watermark

Specifications and dimensions are subject to change without notice.

Installation instructions are available from the product page on www.foreno.co.nz

BUILDING CODE CLAUSES RELEVANT TO THIS PRODUCT:
Clause G12 Water Supplies, specifically G12.3.5, G12.3.6, and G12.3.7. www.foreno.co.nz/building-code-clauses/

This product is not subject to a warning or ban under section 26 of the Building Act 2004.