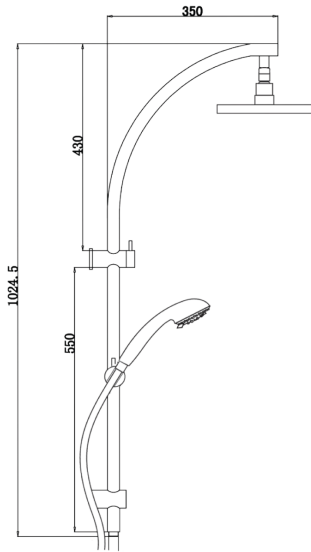


FORENO Round Double Head Shower



PRODUCT CODE

C3-2

COLOUR/FINISHES

Chrome/Grey

PRESSURE TYPE

Mains Pressure only

MIN. PRESSURE

150kPa

MAX. PRESSURE

500kPa (As per NZ Building Code AS/NZ 3500.1)

WELS RATING

Mains 3 Star; 8L/min

MAX. TEMPERATURE

65°C

PLUMBING CONNECTION

Top Bracket Inlet
15mm

WALL FIXINGS

Adjustable Bottom Mount – 450mm to
500mm Centers

SHOWER HEAD SIZE

200mm Diameter

HANDPIECE

3 Function

REPLACEMENT PART/S

Shower Head – FORPT137
Trijet Handpiece – FORPT100
Shower Hose – Chrome FORPT12

Specifications and dimensions are subject to change without notice.

Installation instructions are available from the product page on www.foreno.co.nz

BUILDING CODE CLAUSES RELEVANT TO THIS PRODUCT:
Clause G12 Water Supplies, specifically G12.3.5, G12.3.6, and G12.3.7. www.foreno.co.nz/building-code-clauses/

This product is not subject to a warning or ban under section 26 of the Building Act 2004.