

# Code Form Vanity – 2 Drawer Open Shelf - 1600

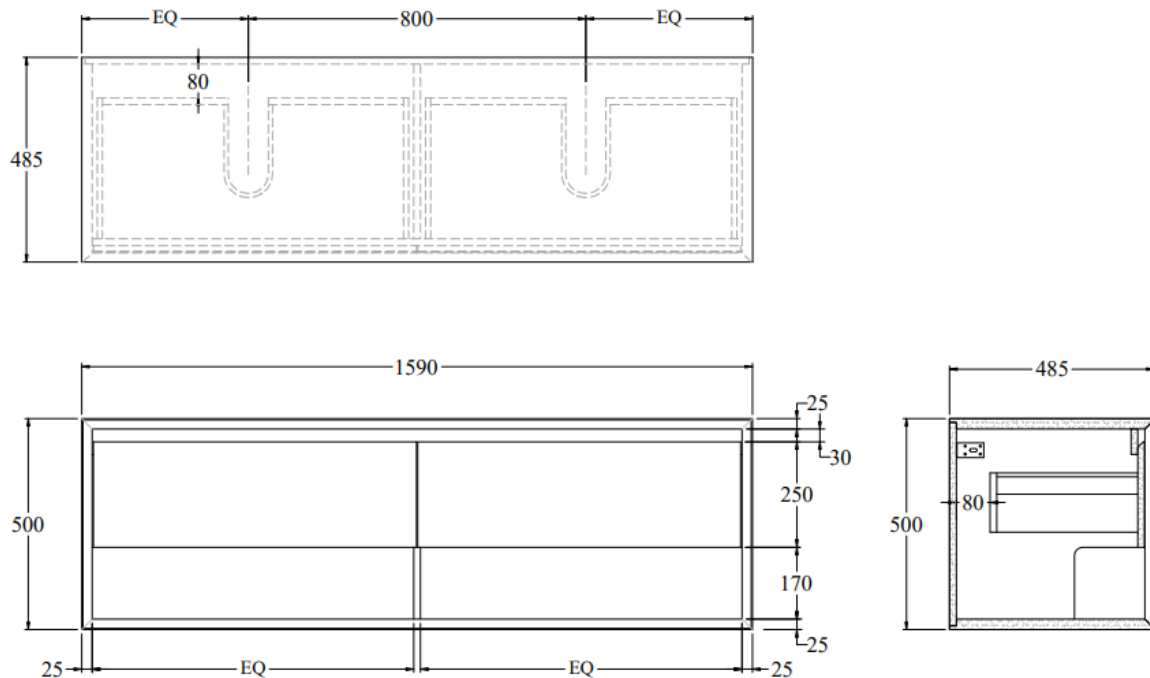
Product Code: F-160-MB, F-160-MW



## Features

- 100% Waterproof
- 10 Year warranty
- German Hettich Runners
- NZ Designed
- Coloured Inlay handles available
- Made to be predrilled onsite (Tap and waste holes can be easily drilled.)
- Features optional coloured inlay handles
- Material: Recyclable WPC (Wood Plastic Composite board)

## Technical Details



Note: all specifications and dimensions are correct at time of publication however are subject to change without notice. Please refer to physical product prior to installation.

**CODE**

**the tile depot**