

# Contro Bath

Providing the modern look of a freestanding bath with the practical benefits of being positioned flush against the wall. Choose from centre or left and right hand versions which enable installation into the corner of a room.



## SPECIFICATIONS

- Sits flush against the wall so removed the need to clean behind the bath
- Optional factory fitted 15mm aluminium upstand enables a water tight seal between the bath and wall lining or tiles
- Made from easy to clean sanitary grade acrylic which retains water temperature
- Reinforced with fibreglass laminate and sandwich construction base for optimum strength
- Tapware can be wall mounted or fitted to integrated shelf
- Lighter and easier to install than cast baths
- Comes with adjustable feet for levelling

### **CENTRE Double ended bath allows versatile installation and tap positions**

BFCO05WH160 | 1800 x 850 x 585mm  
BFCO05WH160U with upstand | 1800 x 850 x 585mm

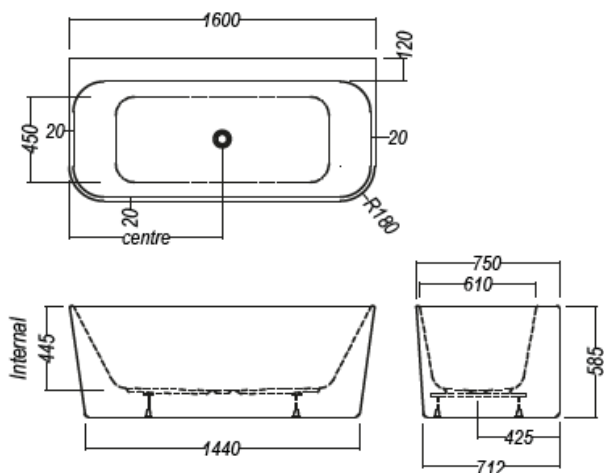
### **LEFT or RIGHT HAND Single ended bath with generous bathing space relative to the overall size**

BFCO05WH16L / BFCO05WH16R | 1600 x 750 x 585mm  
BFCO05WH16LU / BFCO05WH16RU | 1600 x 750 x 600mm with upstand

[athena.co.nz](http://athena.co.nz)

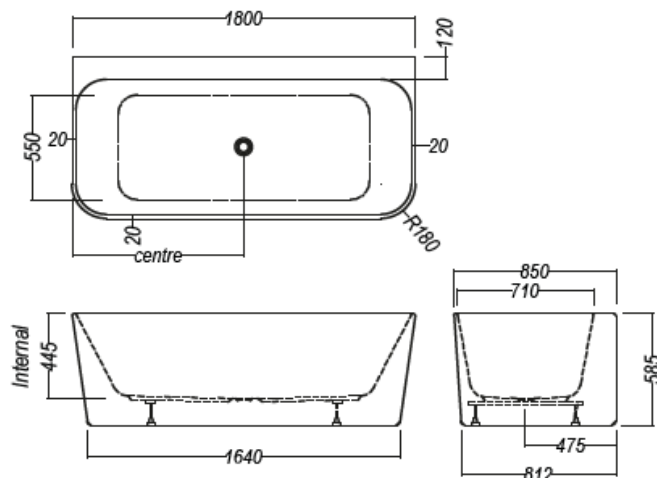
# Contro Bath

## CENTRE



1600x750 BFCO05WH160  
WITH UPSTAND BFCO05WH160U

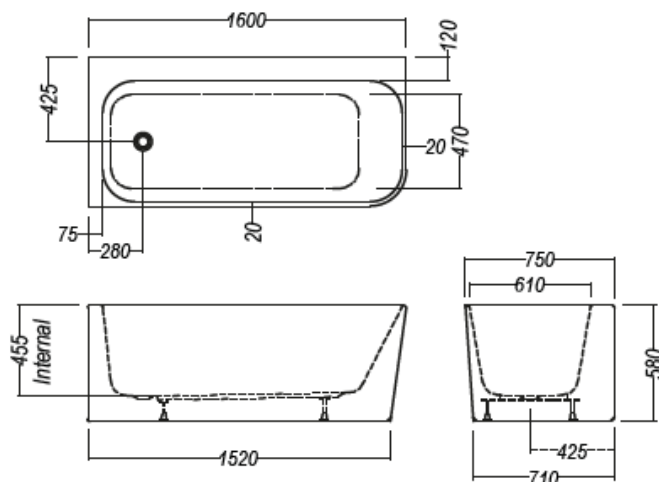
240 litre water capacity



1800x850 BFCO05WH180  
WITH UPSTAND BFCO05WH180U

295 litre water capacity

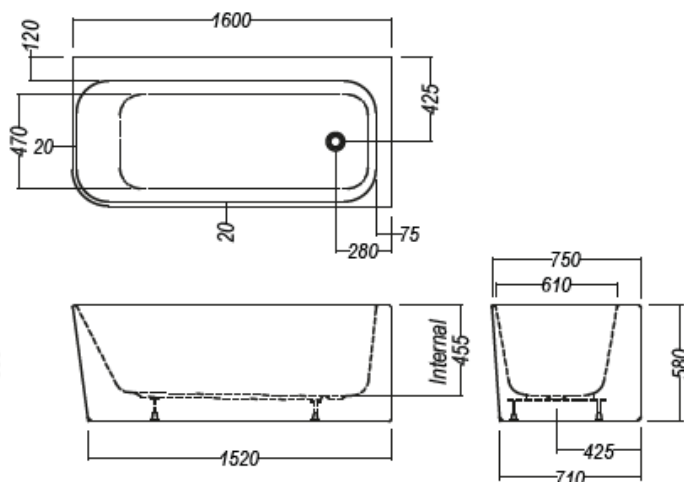
## LEFT HAND



1600x750 Left Hand BFCO05WH16L  
WITH UPSTAND BFCO05WH16LU

250 litre water capacity

## RIGHT HAND



1600x750 Right Hand BFCO05WH16R  
WITH UPSTAND BFCO05WH16RU

250 litre water capacity

Dimensions are nominal  
Water capacity measured 80mm from top edge of bath