

Annex Comfort Wall Faced Toilet

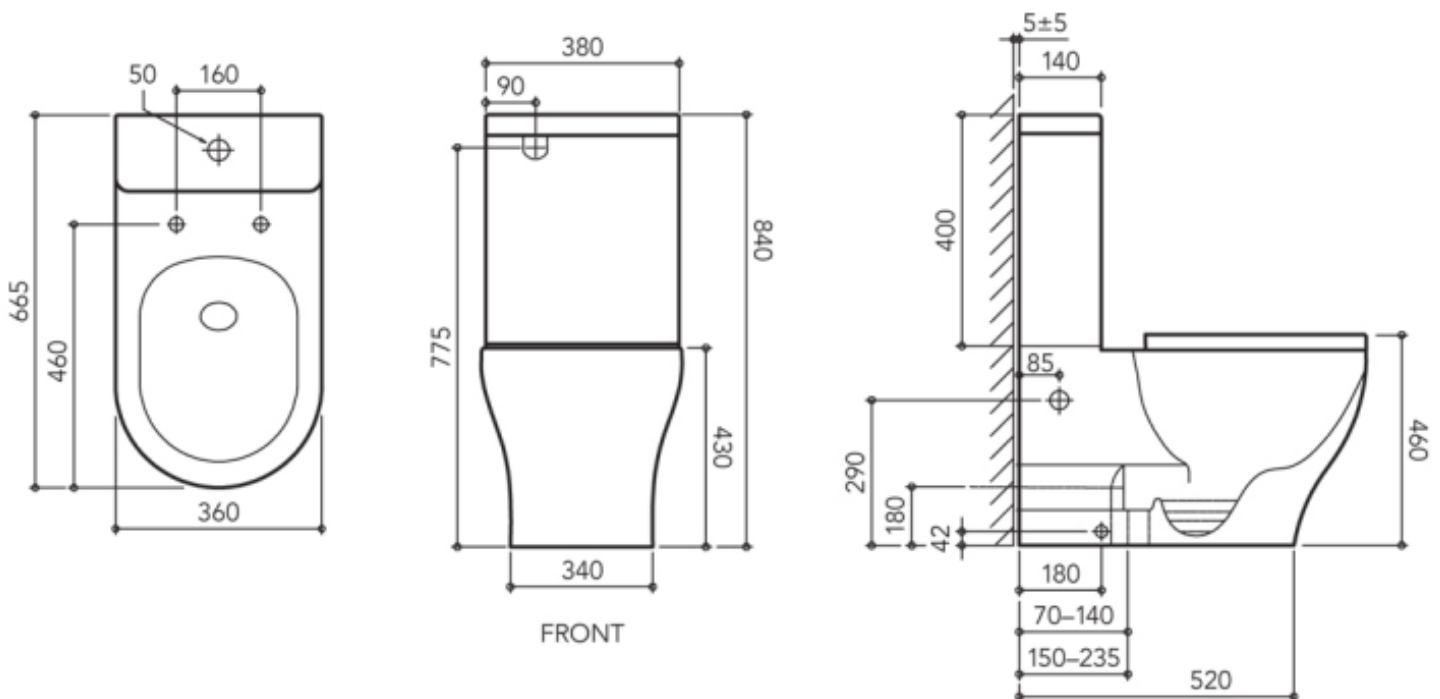
Product Code: 373131S, 373131SE, 373131P



Features

- Universal pan, turbo flow flush
- S Pan connector: standard or extended
- Universal inlet valve (top or bottom, left or right)
- R&T valves
- Top fix soft close seat with stainless steel hinges
- Ceramic tank for quieter flushing action
- WELS rating as applicable

Technical Details



Note: all specifications and dimensions are correct at time of publication however are subject to change without notice. Please refer to physical product prior to installation.