

Eclipse Shower Mixer



PRODUCT CODE

VECL032

COLOUR/FINISHES

Matte Black

Chrome

Mirrored Black (PVD)

PRESSURE TYPE

All Pressures

MINIMUM PRESSURE

35kPa

MAXIMUM PRESSURE

500kPa (As per NZ Building Code AS/NZ 3500.1)

CERTIFICATION

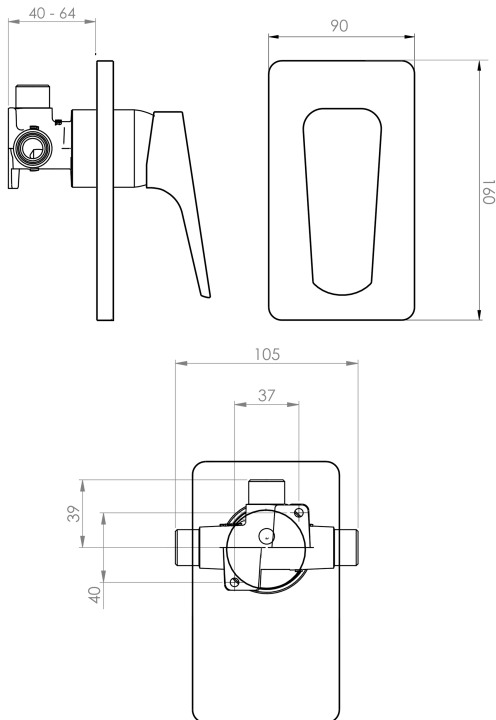
WaterMark Certified

MAXIMUM TEMPERATURE

65°C

PLUMBING CONNECTION

15mm



Specifications and dimensions correct at time of publication however are subject to change without notice.

Please refer to physical product prior to installation.

Installation instructions for this product are available from the product page on vodaplumbingware.co.nz