

Eclipse Wall Mounted Basin Mixer



PRODUCT CODE

VECL027

COLOUR/FINISHES

Matte Black

Chrome

Brushed Gunmetal (PVD)

Mirrored Black (PVD)

PRESSURE TYPE

All Pressures

MINIMUM PRESSURE

35kPa

MAXIMUM PRESSURE

500kPa (As per NZ Building Code AS/NZ 3500.1)

WELS RATING - MAINS PRESSURE

4 Star (6.5L/min)

WELS RATING - LOW PRESSURE

4 Star (7L/min)

MAXIMUM TEMPERATURE

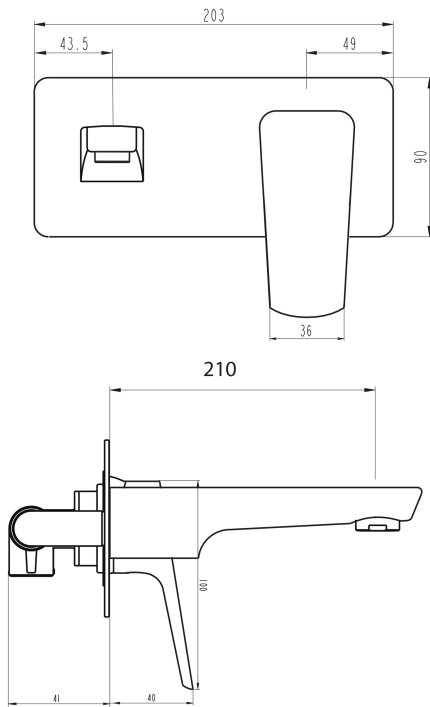
65°C

PLUMBING CONNECTION

15mm

SPOUT REACH

210mm



Specifications and dimensions correct at time of publication however are subject to change without notice.

Please refer to physical product prior to installation.

Installation instructions for this product are available from the product page on vodaplumbingware.co.nz